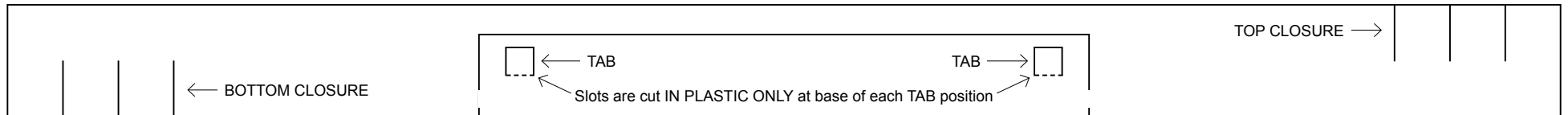


THE TEMP / SHORT TERM FACE SHIELD / HEADBAND (OUTSIDE)

36% of actual size



CLEAR FLEXIBLE PLASTIC FACE SHIELD

Size: 11" x 8.5" (28cm x 22cm)
of clear flexible PLASTIC

SLOTS / CUT IN CLEAR PLASTIC

Cut horizontal slots, top left and top right in PLASTIC to hang on TABS
Cut each slot .75" (1.9cm) wide

Position slots in PLASTIC .75" (1.9cm) from top and .5" (1.3cm)
from outside edges — do not need to be exact

SLOTS cut in PLASTIC allow PLASTIC to attach to headband

Round bottom corners of PLASTIC with scissors for safety

POTENTIAL USE

This temporary face shield is to fill the void **ONLY** when supply of medically-approved visors/goggles/face shields is challenged. Fits over eyeglasses and masks. For general public and point-of-contact staff in retail and essential services.

IT IS NOT NIOSH APPROVED.

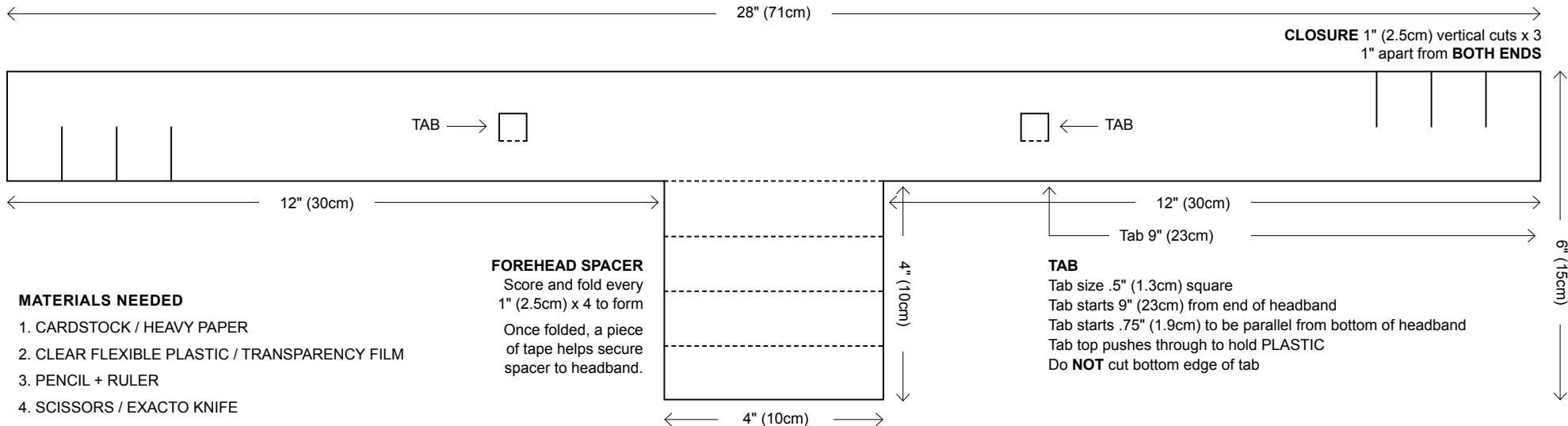
SIMPLE CONSTRUCTION

1. Adjustable Headband — Made from CARDSTOCK or heavy paper. Area needed: 28" wide x 6" high (71cm x 15cm). Simple tab and notch system requires **NO ADHESIVE!**

2. Face Shield — Piece of clear flexible PLASTIC 11" width x 8.5" high (28cm x 22cm). Transparency film for photocopiers works well.

IMPORTANT — For clinical use, headband should be discarded after one use. For general public, headband can be re-used until soiled. PLASTIC shield can be re-used. Wash with soap and water, bleach, Lysol, Windex, hand sanitizer.

THE TEMP / SHORT TERM FACE SHIELD / HEADBAND (INSIDE)



MATERIALS NEEDED

1. CARDSTOCK / HEAVY PAPER
2. CLEAR FLEXIBLE PLASTIC / TRANSPARENCY FILM
3. PENCIL + RULER
4. SCISSORS / EXACTO KNIFE
5. KITCHEN KNIFE TO SCORE + FOLD PAPER

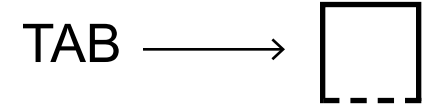
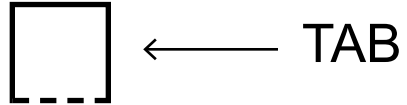
Email / temporaryfaceshield@gmail.com

----- FOLD LINES
— CUT LINES

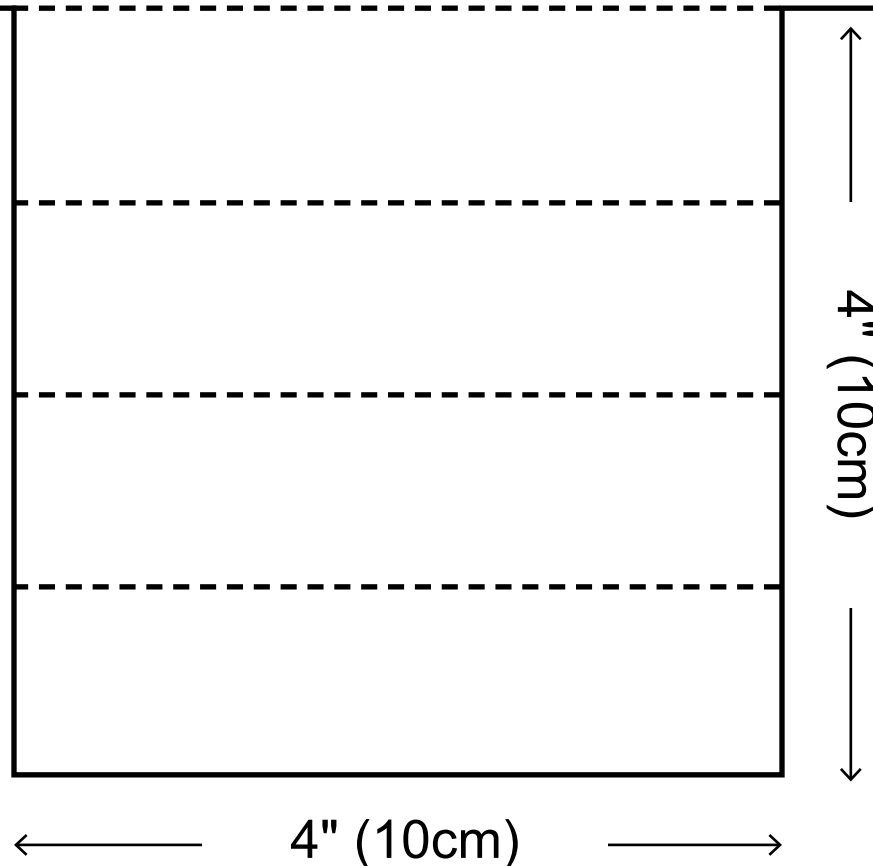
*Metric measurements are rounded

PATTERN / PRINT AT 100%

THE TEMP / FOREHEAD SPACER / HEADBAND / CENTRE



Score and fold
on dashed lines



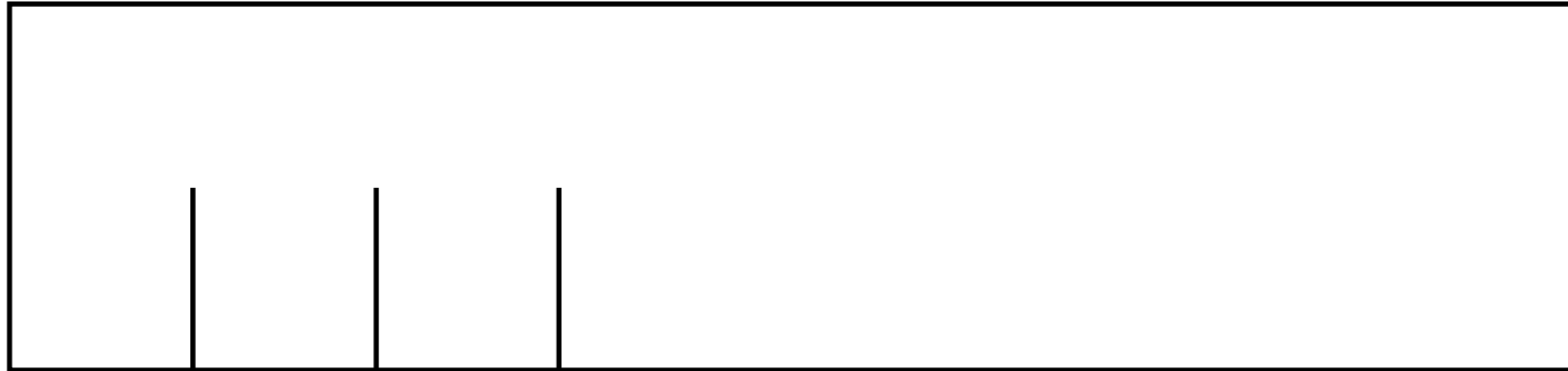
Lines going off edge
may not show when printed
on Letter size paper.

No need to overlap or cut
pages. Lines not printing off
edges are accounted for.

Pattern is complete
by aligning page 3 + 2 + 4
(see diagram page 3-4).

PATTERN / PRINT AT 100%

THE TEMP / FOREHEAD SPACER / HEADBAND / LEFT



CLOSURE 1" (2.5cm) vertical cuts x 3
1" apart from **BOTH ENDS**

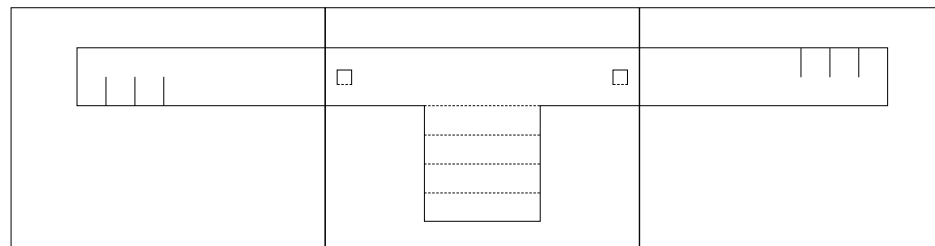
Lines going off edge
may not show when printed
on Letter size paper.

No need to overlap or cut
pages. Lines not printing off
edges are accounted for.

Pattern is complete
by aligning page 3 + 2 + 4
(see diagram left).

ASSEMBLED PATTERN

Tape pages together / place on top of cardstock / cut out, score and fold



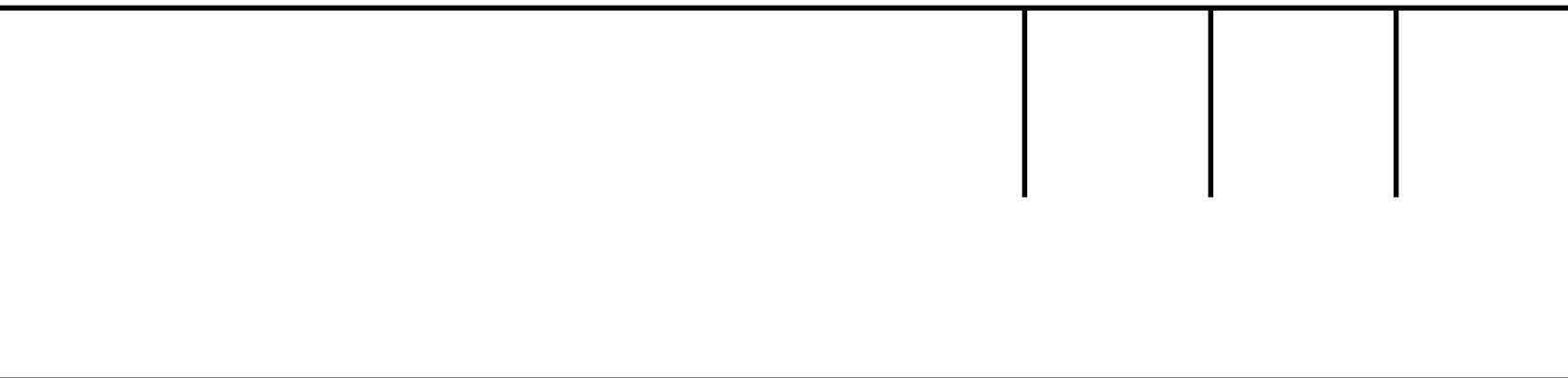
LEFT
PAGE 3

CENTRE
PAGE 2

RIGHT
PAGE 4

PATTERN / PRINT AT 100%

THE TEMP / FOREHEAD SPACER / HEADBAND / RIGHT



Lines going off edge may not show when printed on Letter size paper.

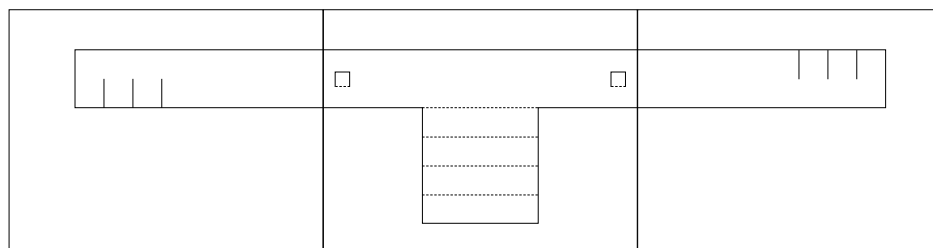
No need to overlap or cut pages. Lines not printing off edges are accounted for.

Pattern is complete by aligning page 3 + 2 + 4 (see diagram right).

CLOSURE 1" (2.5cm) vertical cuts x 3
1" apart from BOTH ENDS

ASSEMBLED PATTERN

Tape pages together / place on top of cardstock / cut out, score and fold



LEFT
PAGE 3

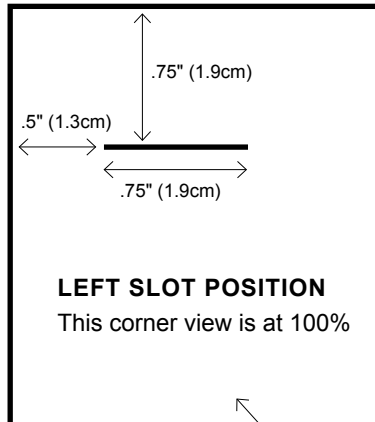
CENTRE
PAGE 2

RIGHT
PAGE 4

INSTRUCTIONS

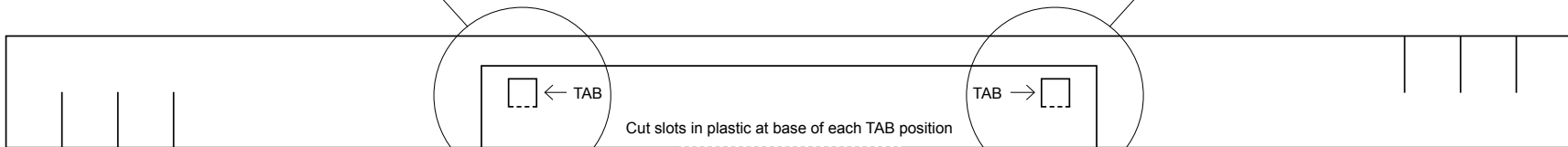
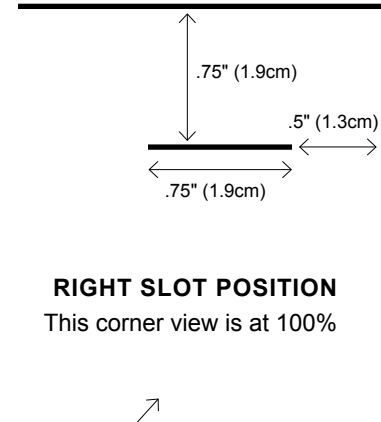
THE TEMP / FLEXIBLE PLASTIC FACE SHIELD

SIZE: 11" X 8.5" (28CM X 22CM)



HORIZONTAL SLOTS
Cut top left corner and top right corner of
PLASTIC FACE SHIELD
Cut each slot .75" (.75cm) wide


POSITION OF SLOTS
Position slots .75" (.75cm) from top and
.5" (.5cm) from outside edges.



CLEAR FLEXIBLE PLASTIC FACE SHIELD

Size: 11" x 8.5" (28cm x 22cm)

SLOTS cut in PLASTIC allow PLASTIC to attach to
HEADBAND

 Round bottom corners of PLASTIC with scissors for safety